

MAXIMATOR®

Maximum Pressure.

Connections and thread sizes

In order to be able to name the connections of a high-pressure connection, the high-pressure tube which is to be connected, and the pressure range are decisive.

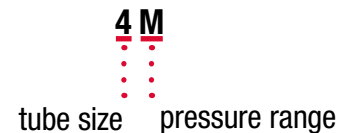
The connection number consists of a number derived from the tube size (see table) and the pressure range:

M- Medium Pressure

H- High Pressure

U- Ultra High Pressure

Nomenclature:



tube size in.	bring to X/16	pressure range		
		connection Medium Pressure	connection High Pressure	connection Ultra High Pressure
1/4	4/16	4M	4H	4U
5/16	5/16	-	-	5U
3/8	6/16	6M	6H	6U
9/16	9/16	9M	9H	9U
3/4	12/16	12M	-	-
1	16/16	16M	-	-
1 1/2	24/16	24M	-	-

MAXIMATOR®

Maximum Pressure.

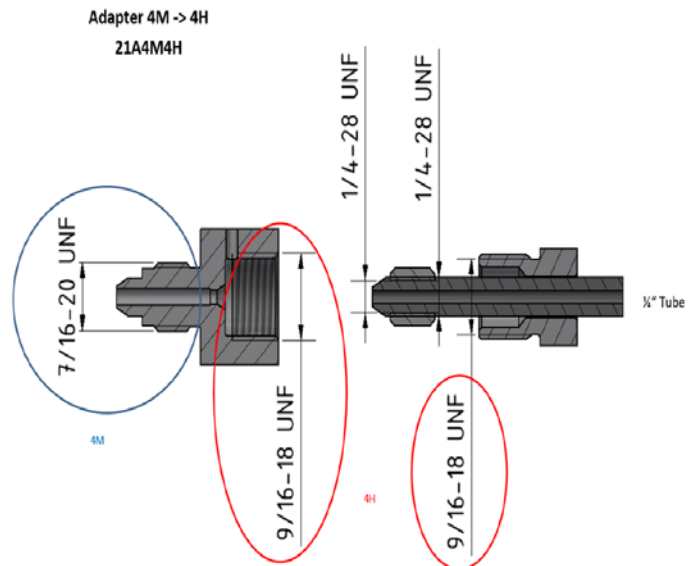
Application

21A4M4H

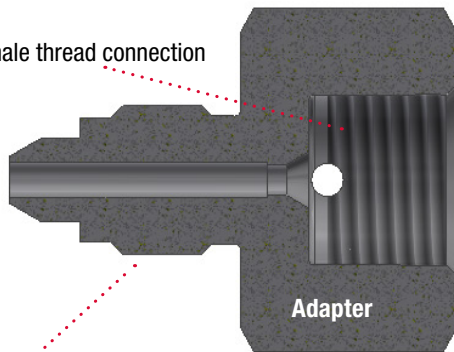
Pressure range adapter

Adapter-male thread connection: 4M = 7/16-20 UNF
 Collar-female thread connection: 4MF = 1/4-28 UNF
 (=nipple-male thread connection)

Gland-male thread connection:
 4H = 9/16-18 UNF
 (=adapter-female thread connection)

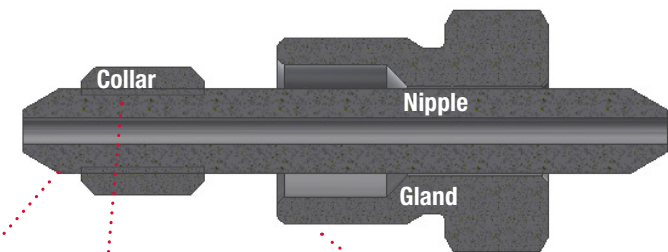


Adapter- female thread connection



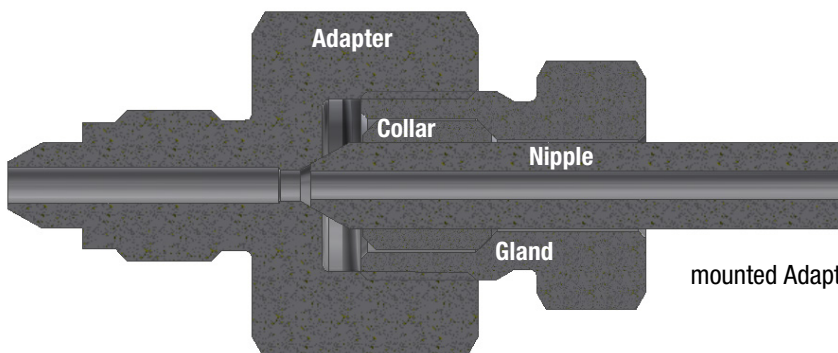
Adapter- male thread connection

Nipple-male thread connection



Collar-female thread connection

Gland-male thread connection



mounted Adapter 21A4M4H with gland and collar

Connections and thread sizes

Connection	Connection description	more information	Thread size / collar & nipple	Thread size gland & body	Pressure range in bar (kpsi)
4M	1/4" Medium Pressure	Cone & thread fitting, collar & gland in series, leakage holes	1/4-28 UNF	7/16-20 UNF	0-1550 (0-21)
6M	3/8" Medium Pressure	Cone & thread fitting, collar & gland in series, leakage holes	3/8-24 UNF	9/6-18 UNF	0-1550 (0-21)
9M	9/16" Medium Pressure	Cone & thread fitting, collar & gland in series, leakage holes	9/16-18 UNF	13/16-16 UNF	0-1550 (0-21)
12M	3/4" Medium Pressure	Cone & thread fitting, collar & gland in series, leakage holes	3/4-16 UNF	3/4-14 NPSM	0-1550 (0-21)
16M	1" Medium Pressure	Cone & thread fitting, collar & gland in series, leakage holes	1-14 UNS	1-3/8-12 UNF	0-1550 (0-21)
24M	1 1/2" Medium Pressure	Cone & thread fitting, collar & gland in series, leakage holes	1 1/2-12 UNF	1 7/8-12 UNF	0-1550 (0-21)
4H	1/4" High Pressure	Cone & threaded fitting, thrust collar & thrust screw one inside the other, leakage holes	1/4-28 UNF	9/16-18 UNF	0-1550 (0-21)
6H	3/8" High Pressure	Cone & threaded fitting, thrust collar & thrust screw one inside the other, leakage holes	3/8-24 UNF	3/4-16 UNF	0-4500 (0-65)
9H	9/16" High Pressure	Cone & threaded fitting, thrust collar & thrust screw one inside the other, leakage holes	9/16-18 UNF	1-1/8-12 UNF	0-4500 (0-65)
4U	1/4" Ultra High Pressure	Cone & threaded fitting, thrust collar & thrust screw one inside the other, leakage holes	1/4-28 UNF	9/16-18 UNF	0-7000 (0-101)
5U	5/16" Ultra High Pressure	Cone & thread fitting, collar & gland in series, leakage holes	3/8-24 UNF	3/4-16 UNF	0-7000 (0-101)
6U	3/8" Ultra High Pressure	Cone & threaded fitting, thrust collar & thrust screw one inside the other, leakage holes	9/16-18 UNF	1-1/8-12 UNF	0-7000 (0-101)
9U	9/16" Ultra High Pressure	Cone & threaded fitting, thrust collar & thrust screw one inside the other, leakage holes	5/16-24 UNF	5/8-18 UNF	0-7000 (0-101)
2B	G 1/8	Pipe thread, external sealing ring	G 1/8	G 1/8	0-1050 (0-15)
4B	G 1/4	Pipe thread, external sealing ring	G 1/4	G 1/4	0-1050 (0-15)
6B	G 3/8	Pipe thread, external sealing ring	G 3/8	G 3/8	0-1050 (0-15)
8B	G 1/2	Pipe thread, external sealing ring	G 1/2	G 1/2	0-1050 (0-15)
12B	G 3/4	Pipe thread, external sealing ring	G 3/4	G 3/4	0-1050 (0-15)
16B	G 1	Pipe thread, external sealing ring	G 1	G 1	0-1050 (0-15)
2P	1/8 NPT	Pipe thread	1/8 NPT	1/8 NPT	0-1050 (0-15)
4P	1/4 NPT	Pipe thread	1/4 NPT	1/4 NPT	0-1050 (0-15)
6P	3/8 NPT	Pipe thread	3/8 NPT	3/8 NPT	0-1050 (0-15)
8P	1/2 NPT	Pipe thread	1/2 NPT	1/2 NPT	0-1050 (0-15)
12P	3/4 NPT	Pipe thread	3/4 NPT	3/4 NPT	0-1050 (0-15)
16P	1 NPT	Pipe thread	1 NPT	1 NPT	0-1050 (0-15)
4GB	G 1/4	Pipe thread, Copper sealing ring, pressure gauge connection	G 1/4	G 1/4	0-1050 (0-15)
8GB	G 1/2	Pipe thread, Copper sealing ring, pressure gauge connection	G 1/2	G 1/2	0-1050 (0-15)

UNF- Unified National Fine

NPSM- National Standard Straight Pipe for free fitting mechanical

BSP- British Standard Pipe (G-Thread)

UNS- Special Threads of American National Form

NPT- National Taper Pipe 1:16

GB- BSP-/ or G-Thread with copper sealing & leakage holes for pressure gauge